

RETRIEVER CITY™

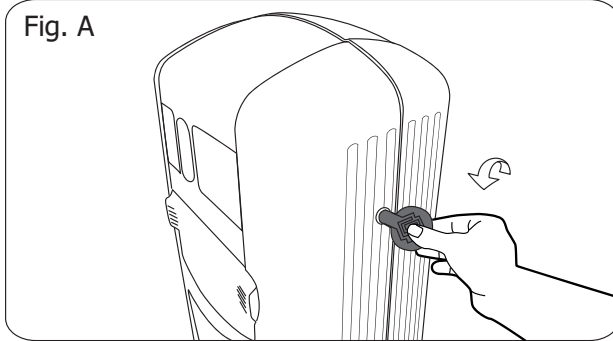
DOG WASTE STATION

INSTRUCTIONS LEAFLET

NOTE: ENSURE ALL RELEVANT PERSONNEL READ THE POINTS LISTED BELOW AND THAT A COPY IS PASSED TO STAFF INVOLVED WITH THE INSTALLATION.

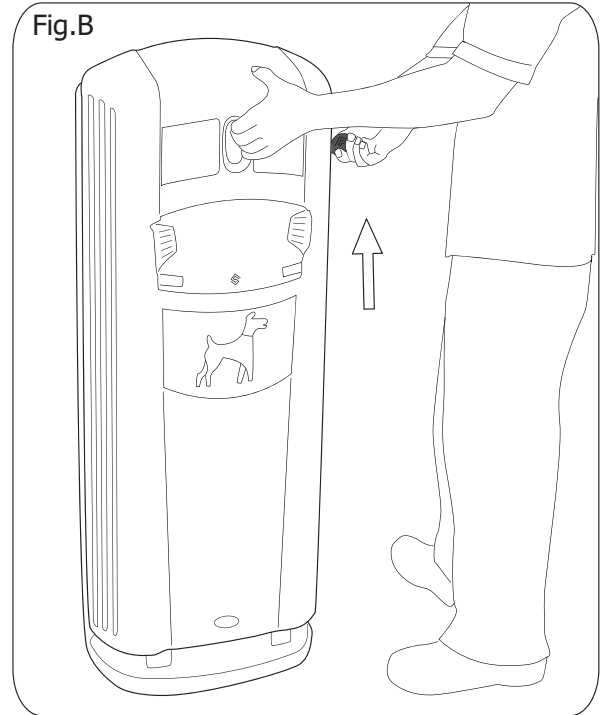
OPENING AND CLOSING

Fig. A



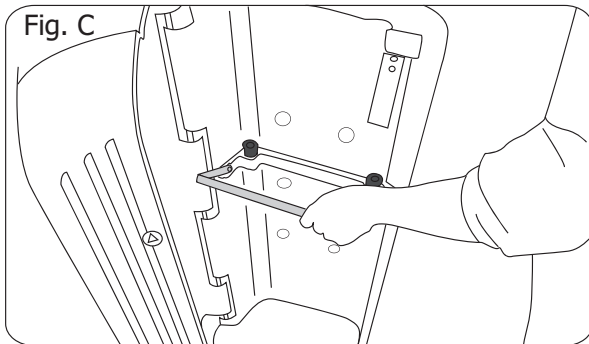
1. Insert key in to the keyhole (Fig. A) and place left hand in the sack dispenser holes. Turn the key anti-clockwise until it stops.
2. Using the sack dispenser as a handle lift the door to allow it to swing open (Fig. B)
3. To close simply slam the door shut, ensuring the door drops into position.

Fig.B



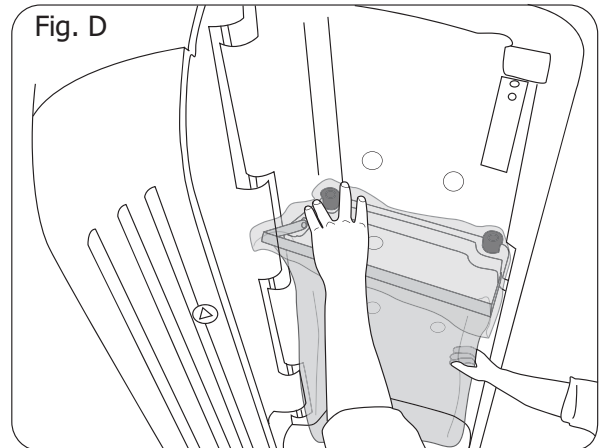
USING THE SACK RETENTION

Fig. C



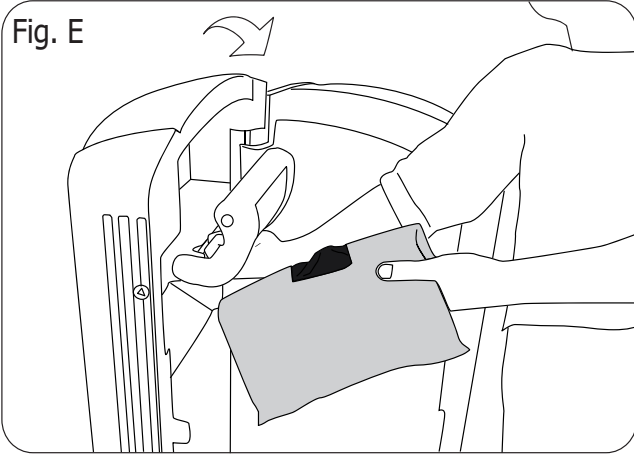
1. Lift the sack band (Fig. C) and drop a sack between it and the back of the unit.
2. Loop the sack over the two bungs at the back of the unit and over the sack band.
3. Push the sack band down into place to secure the sack.
4. Reverse this process to release and replace the sacks.

Fig. D



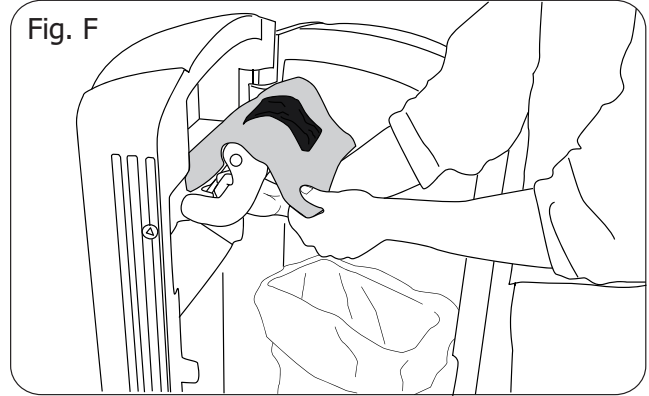
FILLING THE SACK DISPENSER

Fig. E



1. To load the dispenser pull the arm back (Fig. E) and place sacks centrally over the rounded end.
2. Allow the arm to swing back into place, ensuring that the sacks stay looped over it (Fig. F).

Fig. F



NOTE: IF USING GLASDON SACKS TEAR THE CENTRAL HOLE OUT OF THE PACK AND ENSURE THAT THIS SIDE OF THE PACK FACES OUT TO ALLOW USERS ACCESS TO THE SACKS (SEE FIG. F).

INSTALLATION: GROUND FIXING

If using Glasdon fixings please follow the instructions supplied with the fixing kit.

Kits containing 4 bolts should be placed in the holes shown in Fig H.

If using non Glasdon fixings ensure that 50mm diameter washers are used on the base of the unit.

We strongly recommend that the unit is always installed into a concrete slab unless soft earth installation method is being used. Black top or block paved areas are not suitable fixing surfaces.

Fig. G

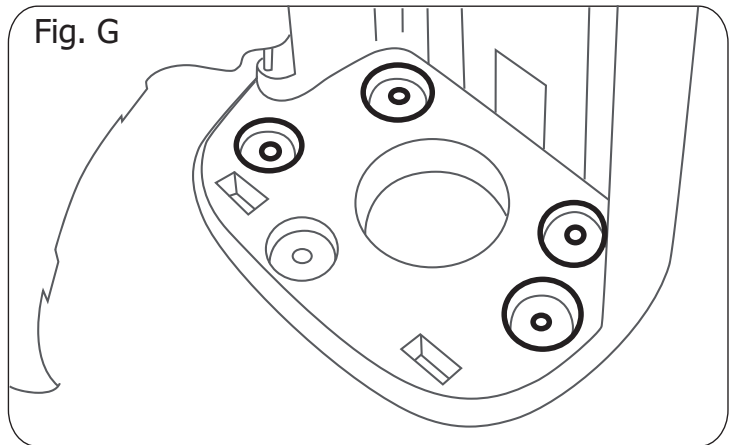
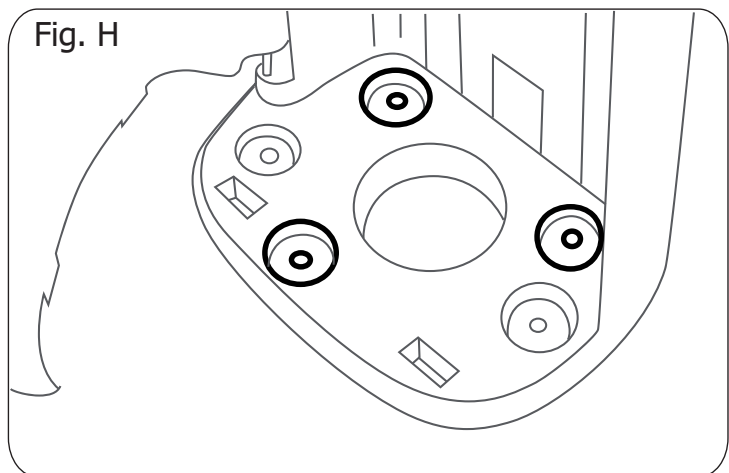


Fig. H



INSTALLATION: POST FIXING

1. Using a 'C' Bracket (ITEM 1) as a guide, mark 4 holes to be drilled in the back of the unit, as shown in Fig.I.
2. Drill the 4 marked holes right through with an 11mm drill bit.
3. Insert a Sleeve (ITEM 2), a Washer (ITEM 3) and a Screw (ITEM 4) onto each hole.
4. Tighten the screws in to the C Brackets with the 5mm Allen Key (Fig.J).

Banding can now be passed through the C Brackets to attach the unit onto an existing post (Fig.K).

If using Tespa or Tamtorque banding from Glasdon please follow the Instructions supplied with the kit. If non Glasdon banding is used follow the manufacturers instructions.

HARDWARE:

Item 1 - 'C' Bracket	x2
Item 2 - Steel Sleeve	x4
Item 3 - M8 x 20mm Washer	x4
Item 4 - M8 Screw	x4

TOOLS REQUIRED:

Pen/Scribe
Hand Drill
11mm Drill Bit
5mm Allen Key

Fig. I

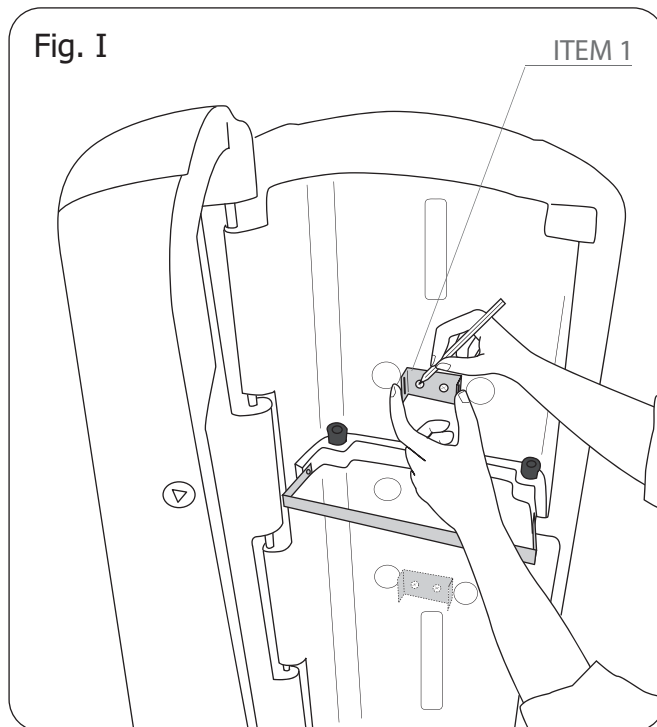


Fig. J

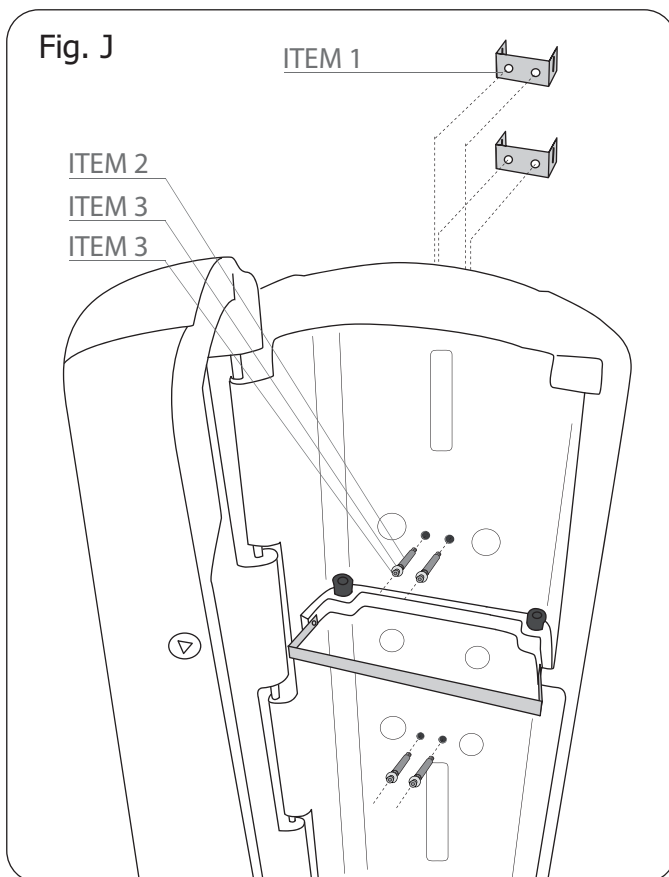
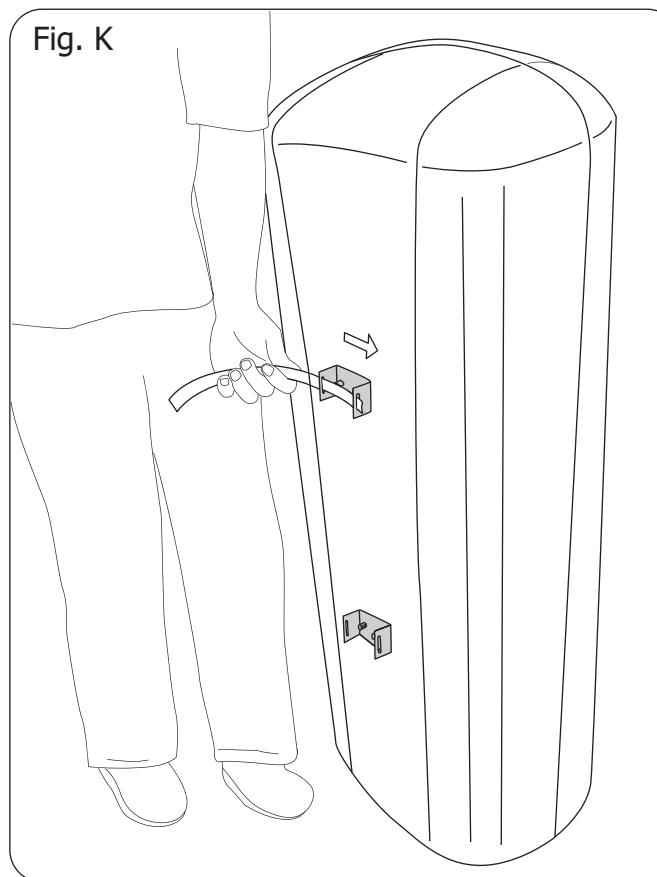


Fig. K



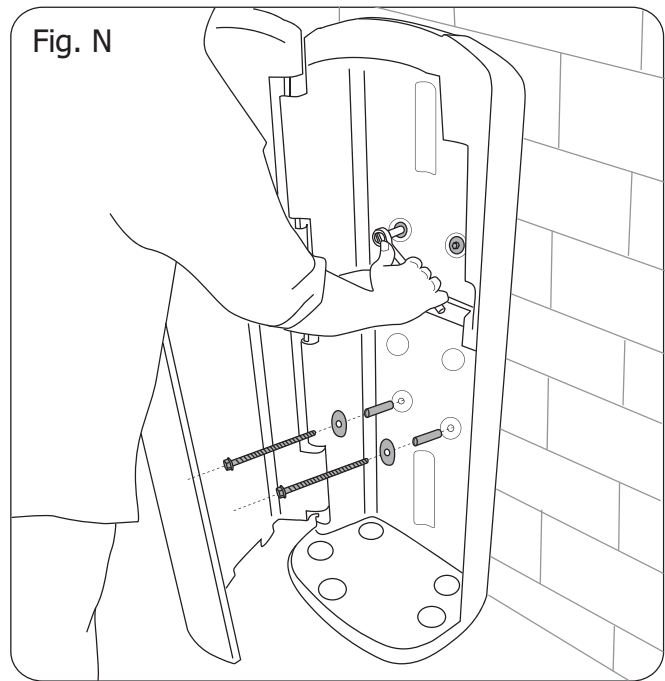
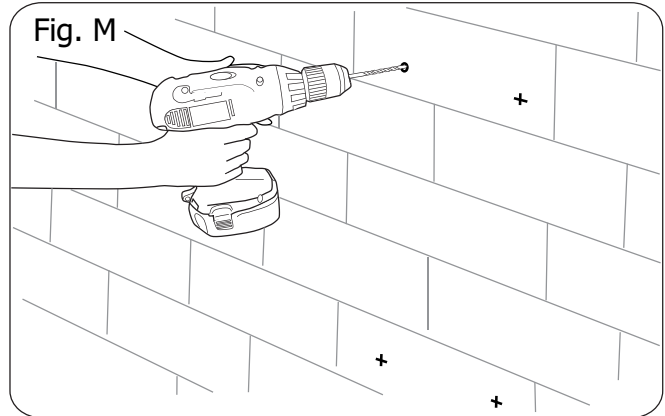
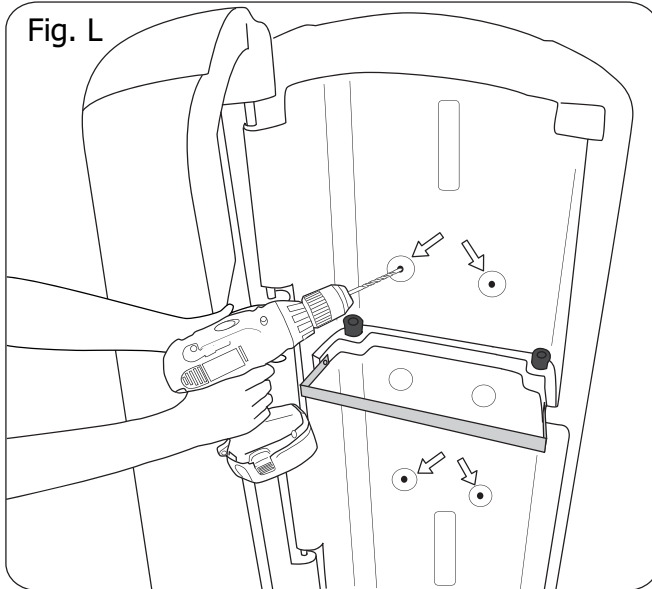
INSTALLATION: WALL MOUNTING

HARDWARE:

Item 1 - M8 x 100mm Bolt	x4
Item 2 - Steel Sleeve	x4
Item 3 - M8 x 20mm Washer	x4

TOOLS REQUIRED:


M6 x 120mm Masonry Drill Bit
Hand Drill
12mm Torque Wrench



1. Drill through the 4 points in circular recesses in the back internal wall of the unit as shown in Fig.L.
2. Hold the unit against the wall at the desired height and mark the 4 off hole positions.
3. Drill the 4 marked holes with the M6 Drill Bit (Fig.M).
4. Remove any dust or debris from the 4 holes.
5. Insert bolts (ITEM 1), sleeves (ITEM 2) and washers (Item 3) through the unit and into the wall (Fig.N). apply pressure and screw into the wall with a 12mm wrench. Tighten to 25Nm.

NOTE: SUITABLE FOR USE IN CONCRETE, BRICK, BLOCK AND STONE WALLS. ANY OTHER WALLS SHOULD BE INDIVIDUALLY ASSESSED AND THE APPROPRIATE FIXINGS UTILIZED WITH **20MM** DIAMETER WASHERS.

- A planned maintenance schedule of regular inspection is recommended, replacing components as necessary.
- Replacement components are available direct from GLASDON, Inc.
- GLASDON, Inc. cannot be held responsible for claims arising from incorrect installation, unauthorized modifications or misuse of the product.

 **Glasdon** AND RETRIEVER CITY ARE TRADEMARKS OF GLASDON GROUP OR ITS SUBSIDIARIES IN THE U.K. AND OTHER COUNTRIES

